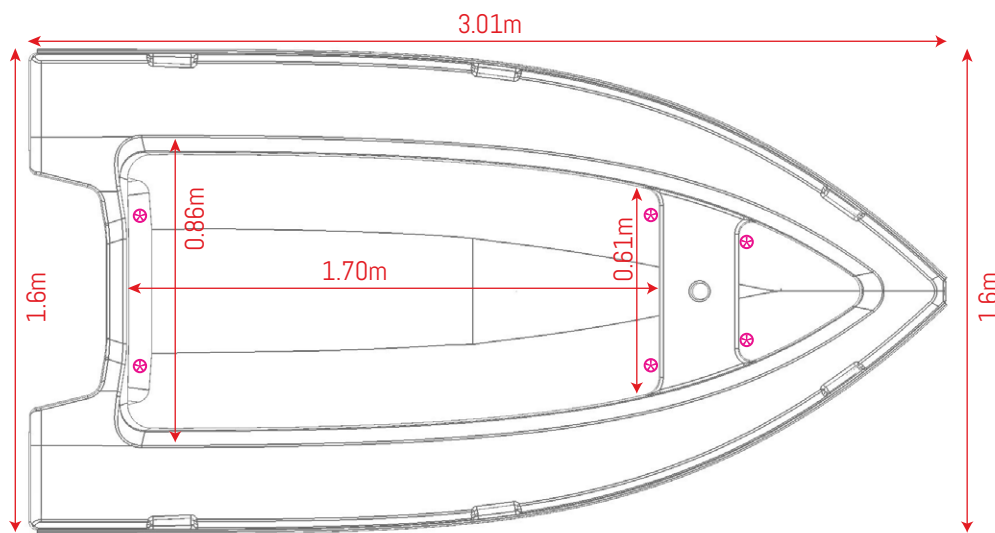
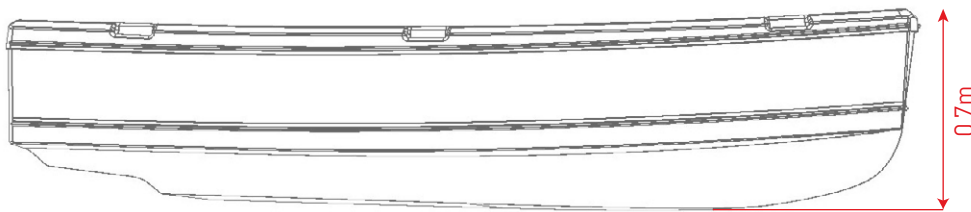


SPECIFICATIONS

THE OC300 TENDER

Our best all around tender. Performance, volume and an easy fit for most cruisers. Great size for a crew of 4. Minimal power, maximum fun!

Overall length (m/ft)	3.01m	9.88ft
Overall width (m/ft)	1.60m	5.03ft
Hull top side height	0.44m	1.04ft
Nett hull weight	42kg	92lb
Nett carbon hull weight	34kg	75lb
Recommended max hp	Short Shaft	Max 8hp
Max load	355kg	783lb



⊗ Davit lifting points

MODEL INCLUDES

Tender
Black rub rail cover
Full non skid on deck & cockpit floor
40cm X 40cm stern drag plate
Delta point drop plate
Oarlocks & Oars
Anchor bag
Mesh tank bulkhead
Two side storage bags
Two seat blocks
Large draining bung
Davit lifting eyes (3 sets)
Floating painter
Tiller extension

ACCESSORIES

Full Carbon construction
Custom colour Rub Rail cover
Full boat cover
1.2mm Alloy Delta Panel – 2.5kg
Vinyl Name cutting ("Tender to S.V. ...")
Fishing Rod Holders (sold in pairs)
Telescopic ladder (3 steps)
Wheels (retractable)
Navigation lights (Railblaza NaviPack)
Board rack



+64 9 974 6745
 info@octenders.com
 facebook.com/octenders
 instagram.com/octenders
 octenders.com

PO Box 101
 Paihia, 0200
 Bay of Islands
 New Zealand